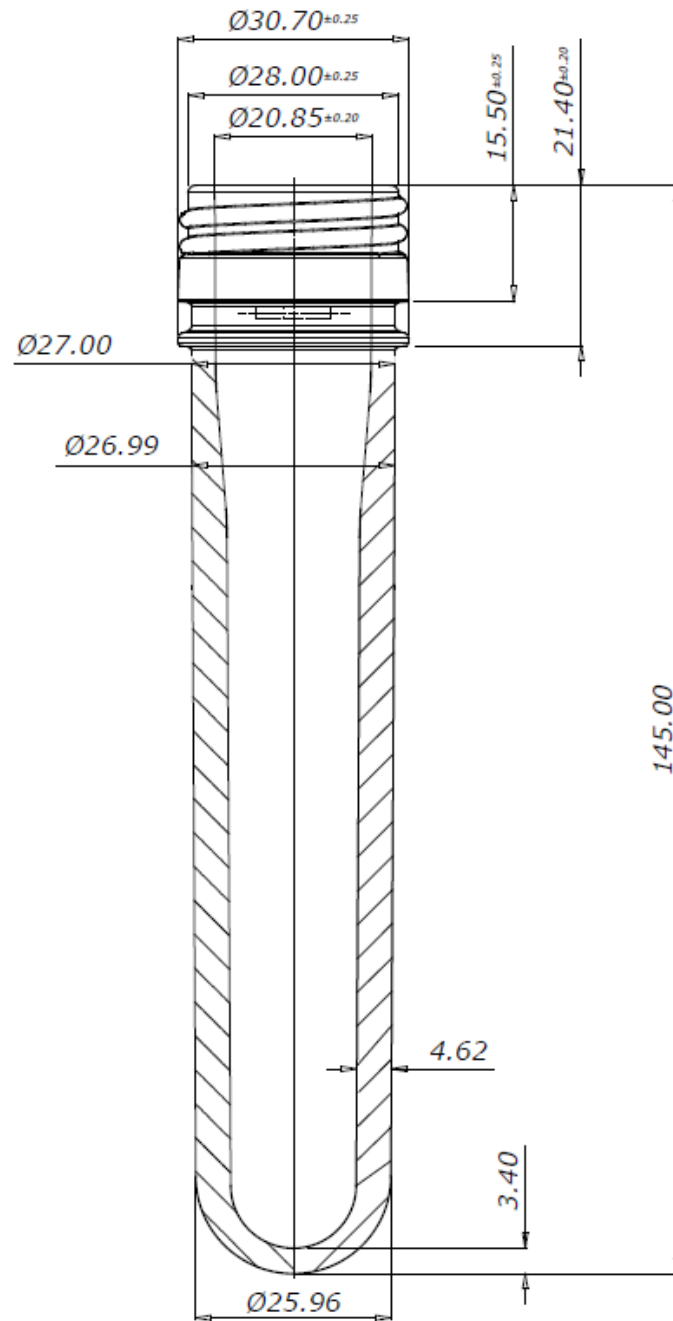




PREFORM 60G 31,5 GLASS



MATERIAL: PET

CODE: PPO6000C

WEIGHT: 60 gr.

NECK: 31,5 GLASS 30,70 \pm 0,25 mm.